

ANEXO 1

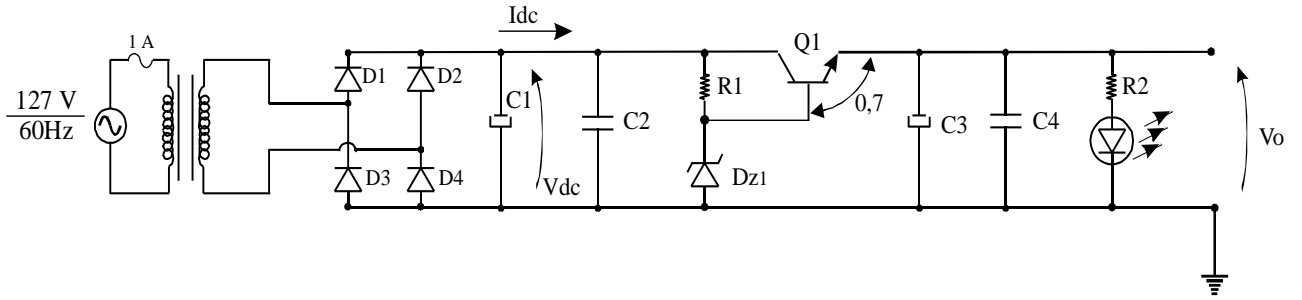


Figura 1 - Diagrama

LIMITING VALUES

In accordance with the Absolute Maximum Rating System (IEC 134).

SYMBOL	PARAMETER	CONDITIONS	MIN.	MAX.	UNIT
V_{CBO}	collector-base voltage	open emitter	-		
	BD135		-	45	V
	BD137		-	60	V
V_{CEO}	collector-emitter voltage	open base	-		
	BD135		-	45	V
	BD137		-	60	V
	BD139		-	80	V
V_{EBO}	emitter-base voltage	open collector	-	5V	
I_C	collector current (DC)		-	1.5	A
I_{CM}	peak collector current		-	2A	
I_{BM}	peak base current		-	1A	
P_{tot}	total power dissipation	$T_{mb} \leq 70^\circ C$	-	8W	
T_{stg}	storage temperature		-65	+150	$^\circ C$
T_j	junction temperature		-	150	$^\circ C$
T_{amb}	operating ambient temperature		-65	+150	$^\circ C$

Figura 2 – DATA SHEET